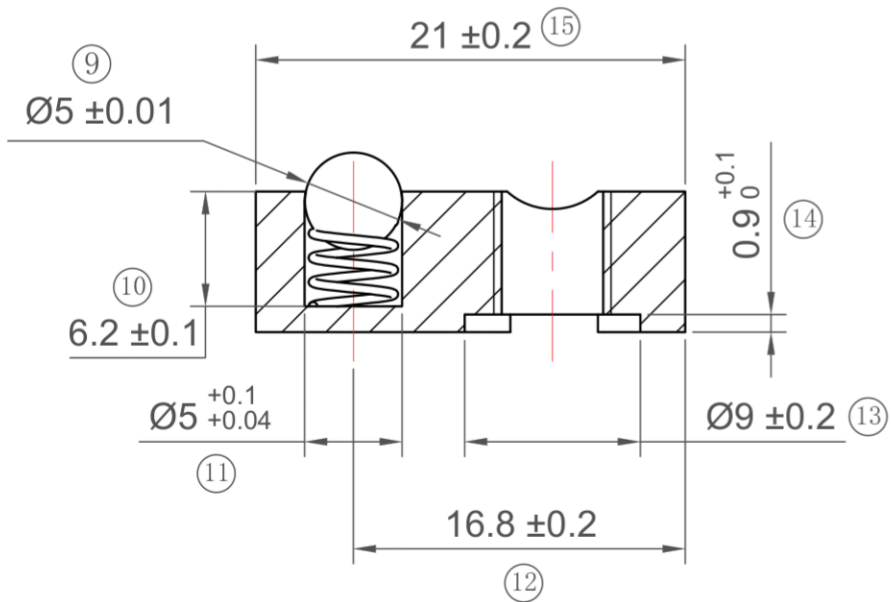
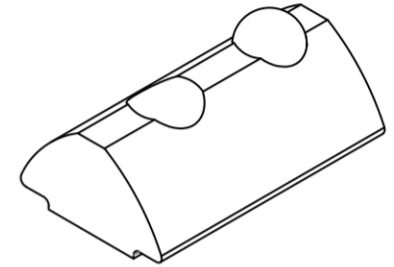
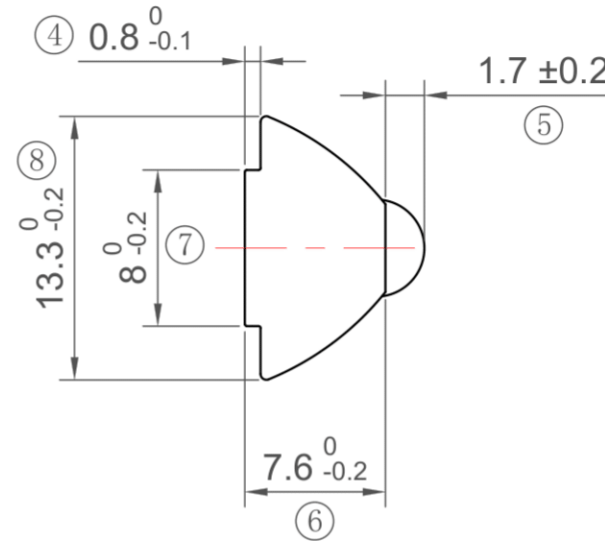
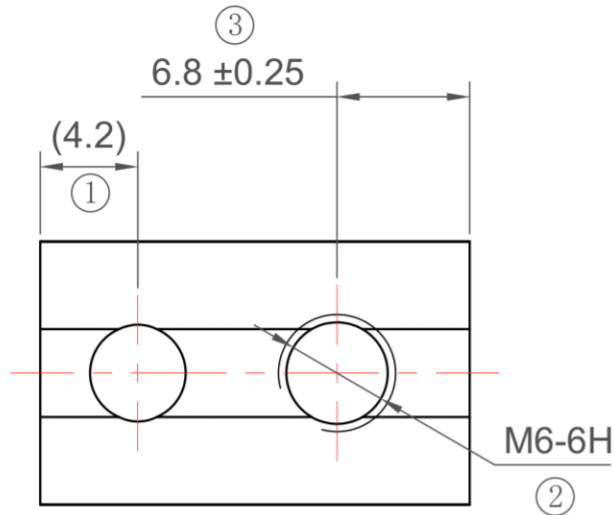


General Tolerances/Allg.Toleranzen DIN

ISO2768-mk

0.5 ≤ 3	>3 ≤ 6	>6 ≤ 30	>30 ≤ 120	>120 ≤ 400
±0.1	±0.1	±0.2	±0.3	±0.5



1. Material: Carbon Steel;
2. Surface treatment: Zinc Plated;
3. Appearance should be without lack materials, smudge and burs;
4. Unspecified length tolerance according to 2768-M intermediate tolerance