

These drawings are free hardware: you can redistribute it and/or modify it under the terms of the GNU General Public License as published by the Free Software Foundation, either version 3 of the License, or (at your option) any later version.

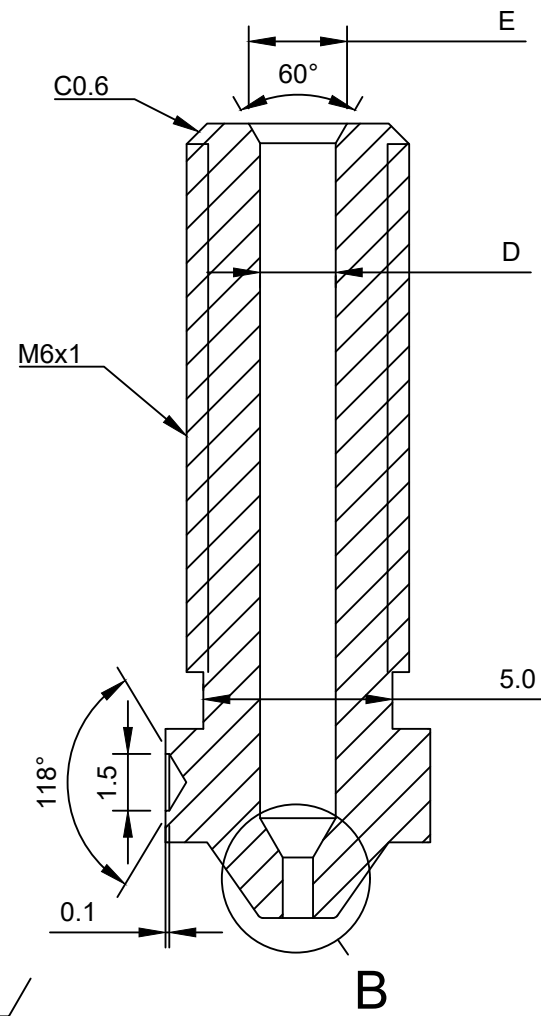
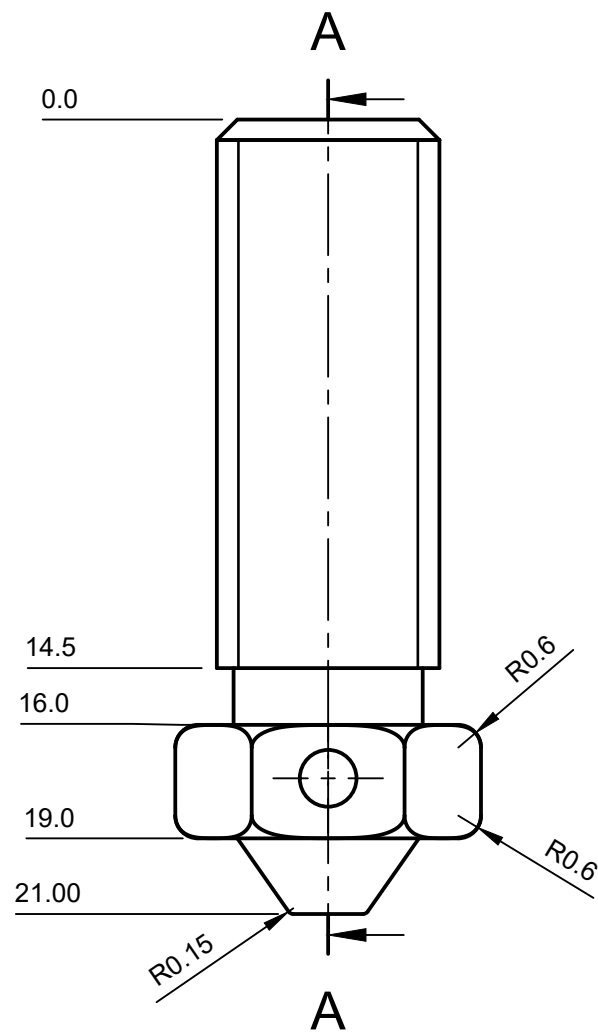
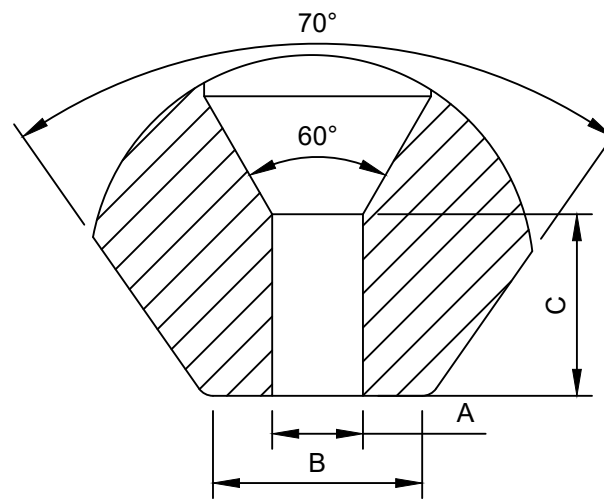
THIRD ANGLE PROJECTION  
 ALL DIMENSIONS IN MM  
 MATERIAL: AS PER TABLE  
 SCALE: 8:1  
 SURFACE FINISH: UNFINISHED

TOLERANCES UNLESS OTHERWISE STATED:

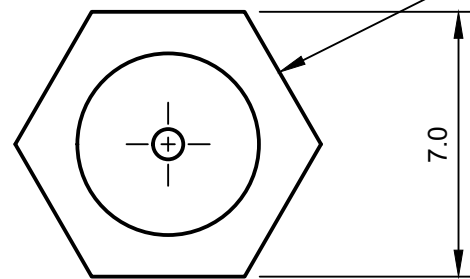
X ±0.2  
 X.X ±0.1  
 X.XX ±0.05

REVISION HISTORY			
REV	DESCRIPTION	DATE	APPROVED
5.2	Dimensions Updated	15/11/2018	RY

B (15:1)




A-A (5:1)



INLET GEOMETRY		
SKU CORE	D	E
-175-	2.0	2.6
-300-	3.2	3.9

TIP GEOMETRY				
SKU SUFFIX	A	B	C	# DOTS
0400	0.40	1.00	0.6	4
0500	0.50	1.25	1.0	5
0600	0.60	1.50	1.2	0
0800	0.80	2.00	1.6	1
1000	1.00	2.50	2.0	2
1200	1.20	3.00	2.4	3

Dept. ENGINEERING	Technical reference VOLCANO	Created by DVW	31/10/2018	Approved by RY	31/10/18
		Document type PRODUCTION	Document status RELEASED		
		Title VOLCANO NOZZLE SERIES	DWG No. VOLCANO-NOZZLE		
		Rev. 5.2	Date of issue 15/11/18	Sheet 1/1	